

ALUMINIUM SHORING 250 series

Shoring system for minor cable and pipe-laying works and the use of lightweight construction machinery.

- ▶ Can be used as a simple trench box, shoring box or manhole
- ▶ 0.60 m high trench boxes can easily be transported manually by two people

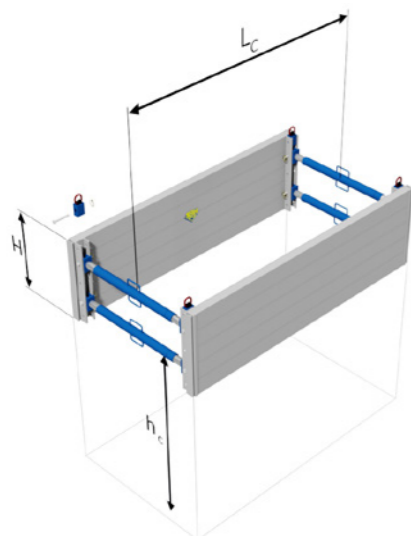


ALUMINIUM PLATES $t_{pl} = 60.00$ mm

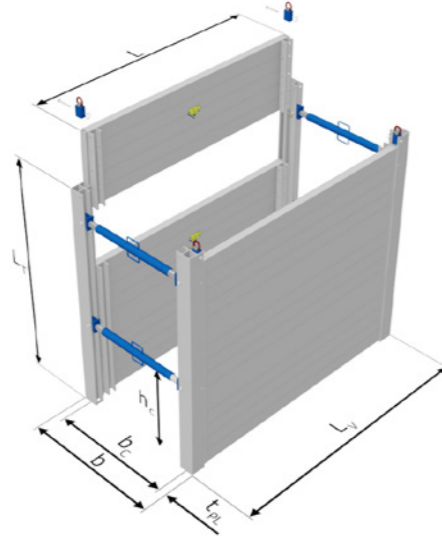
Plate length L	Shoring length L_v	Shoring height H	Pipe clearance length L_c	Pipe clearance height h_c	Permissible earth pressure	Limit state design load e_d / Characteristic system resistance R_k	Weight with strut B	Manhole weight
[m]	[m]	[m]	[m]	[m]	[kN/m ²]	[kN/m ²]	[kg/box]	[kg/manhole]
1.50	1.50	0.60	1.32	1.32	32.6	48.9	95.0	130.0
	1.72	1.20 / 1.80 / 2.40	1.58	0.71			185.0 / 250.0 / 320.0	250.0 / 370.0 / 485.0
2.00	2.00	0.60	1.82	1.32	26.5	39.8	110.0	160.0
	2.22	1.20 / 1.80 / 2.40	2.08	0.71			215.0 / 295.0 / 380.0	305.0 / 450.0 / 600.0
2.50	2.50	0.60	2.32	1.32	21.6	32.4	120.0	185.0
	2.72	1.20 / 1.80 / 2.40	2.58	0.71			240.0 / 340.0 / 435.0	360.0 / 535.0 / 710.0
3.00	3.00	0.60	2.82	1.32	17.5	26.3	135.0	215.0
	3.22	1.20 / 1.80 / 2.40	3.08	0.71			270.0 / 380.0 / 490.0	420.0 / 620.0 / 825.0

Other lengths or custom variants upon request.

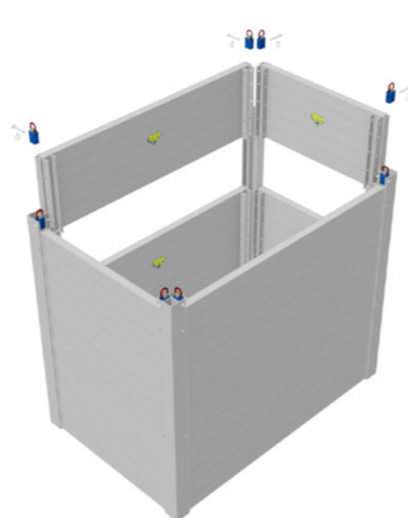
SIMPLE TRENCH BOX



SHORING BOX



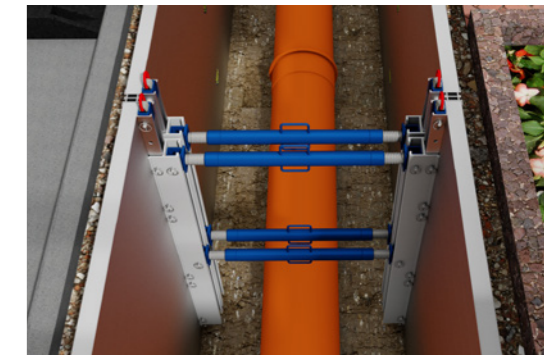
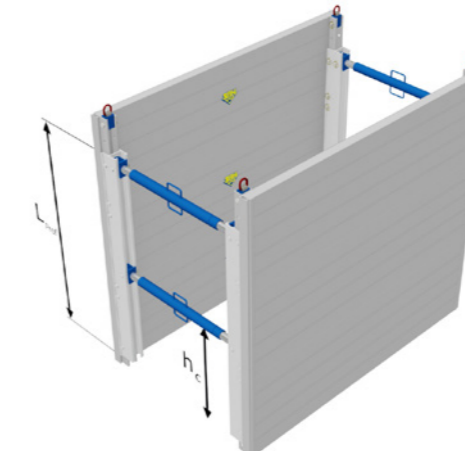
MANHOLE BOX



ALUMINIUM SHORING WITH COUPLING 250 series

ALUMINIUM COUPLING

Post length L_T	Weight
[m]	[kg]
0.90	6.2
1.50	10.3
2.10	14.4



ALUMINIUM PLATES $t_{pl} = 60.00$ mm

Plate length L	Shoring length L_v	Shoring height H	Pipe clearance length L_c	Pipe clearance height h_c	Permissible earth pressure	Weight with strut B
[m]	[m]	[m]	[m]	[m]	[kN/m ²]	[kg/Box]
1.50	1.50	1.80	1.32	0.71	36.0	250.0
		2.40				320.0
2.00	2.00	1.80	1.82	0.71	28.0	295.0
		2.40				380.0
2.50	2.50	1.80	2.32	0.71	22.5	340.0
		2.40				435.0
3.00	3.00	1.80	2.82	0.71	18.0	380.0
		2.40				490.0

ALUMINIUM POSTS

Post length L_T	Weight
[m]	[kg]
0.70	5.4
1.30	10.0
1.90	14.6
2.50	19.2



STRUTS FOR ALUMINIUM SHORING

Strut Type	Working width b_c		Trench width b		Permissible compressive force	Weight
	[m]	[m]	[m]	[m]		
A	0.63	0.85	0.78	1.00	109.0	7.3
B	0.85	1.31	1.00	1.46	92.0	9.4
C	1.32	2.23	1.47	2.38	62.0	13.6

ACCESSORIES

You can find the accessory parts

- ▶ Connector
- ▶ 4-fold lifting rope

for the Aluminium Shoring 250 series on pages 88–91.